



## NJ 220 ECM

- Popular item  
- SKF Explorer

### Cylindrical roller bearings, single row

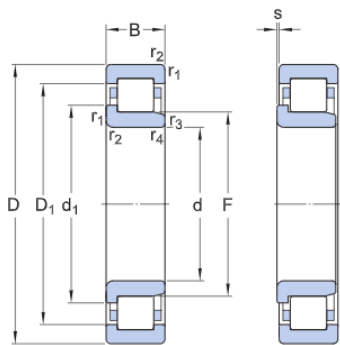
#### Bearing data

[Tolerances](#),  
Normal (metric), P6, Normal (inch),  
[Radial internal clearance](#),  
cylindrical bore, tapered bore,  
[Axial internal clearance](#),  
NUP, NJ + HJ

#### Bearing interfaces

[Seat tolerances for standard conditions](#),  
[Tolerances and resultant fit](#)

## Technical specification

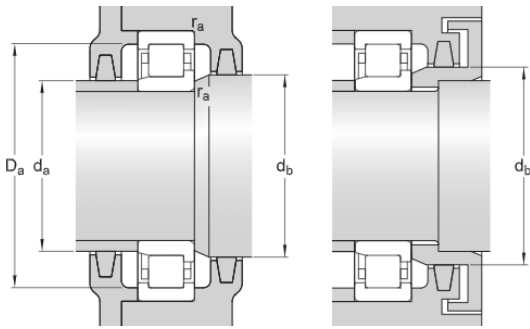


### DIMENSIONS

d	100 mm	Bore diameter
D	180 mm	Outside diameter
B	34 mm	Width
d1	≈127 mm	Shoulder diameter of inner ring
D1	≈155.55 mm	Shoulder diameter of outer ring
F	119 mm	Chamfer dimension of loose flange ring
r <sub>1,2</sub>	min.2.1 mm	Chamfer dimension
r <sub>3,4</sub>	min.2.1 mm	Chamfer dimension
s	max.1.7 mm	Permissible axial displacement

### ABUTMENT DIMENSIONS

da	min.113 mm	Diameter of spacer sleeve
da	max.116 mm	Diameter of spacer sleeve
db	min.130 mm	Diameter of shaft abutment
	max.167.5 mm	Diameter of



$D_a$	mm	housing abutment
$r_a$	max.2 mm	Radius of fillet

CALCULATION DATA

Basic dynamic load rating	C	285 kN
Basic static load rating	$C_0$	305 kN
Fatigue load limit	$P_u$	36.5 kN
Reference speed		4 000 r/min
Limiting speed		4 500 r/min
Minimum load factor	$k_r$	0.15
Limiting value	e	0.2
Axial load factor	Y	0.6

MASS

Mass	4.03 kg
------	---------

ASSOCIATED PRODUCTS

Angle ring	HJ 220 EC
------------	-----------